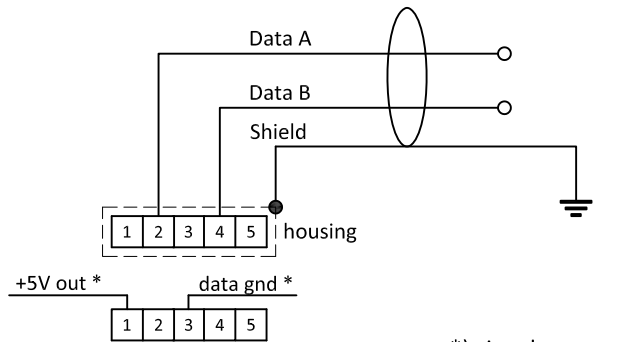


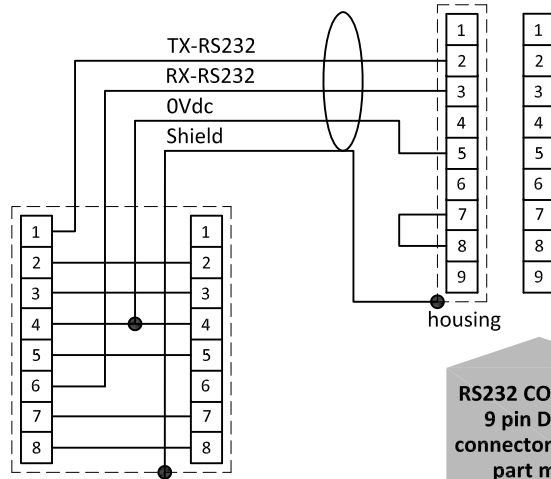
PROFIBUS connection



M12 connector female chassis part B-coded

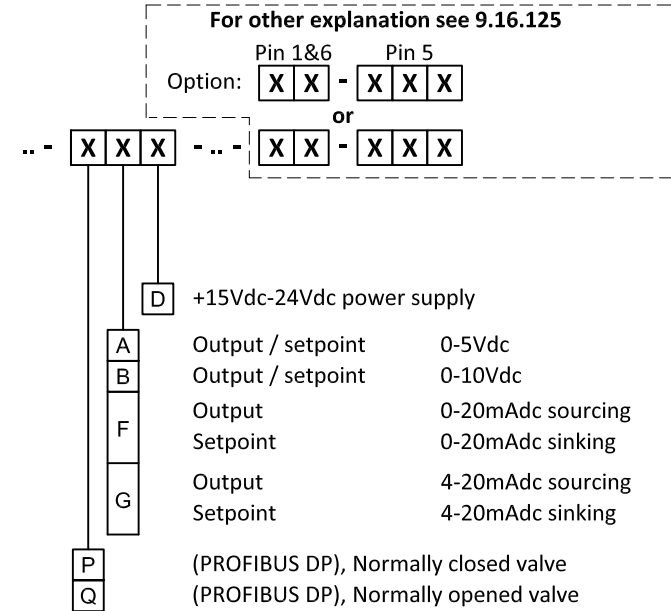
*) signals are for termination purpose only.

RS232 connection

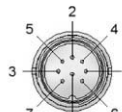
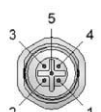


T-adapter cable 7.03.444

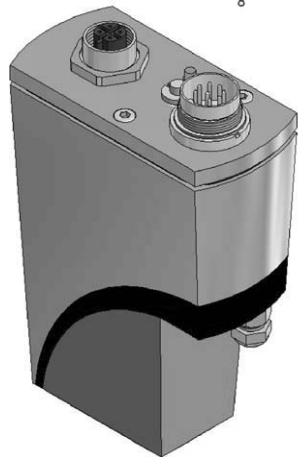
Model key explanation



M12 connector female chassis part B-coded



8 DIN connector chassis part male



- 1 TX-RS232/BUS
 - 2 Analog output
 - 3 Analog input
 - 4 0V power
 - 5 Custom 1
 - 6 RX-RS232/BUS
 - 7 +Us
 - 8 0V sense
- Instrument signals**

8 DIN connector chassis part male

Note:
1) Default disabled, 0Vdc.

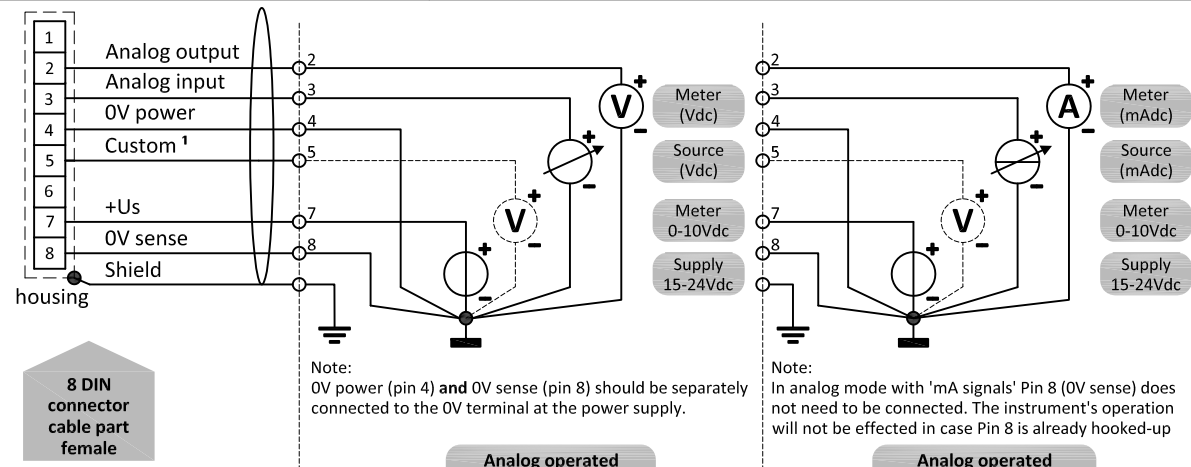
Note:

When using a field bus or RS232, it is not possible to operate the instrument by using the setpoint signal of the analog 8 DIN connector without changing the value of parameter "control mode". See doc.nr. 9.17.023 for more details.

Do not connect an external valve to instruments, set as MFM or EPM.

- 1 Analog output
 - 2 Analog input
 - 3 0V power
 - 4 Custom 1
 - 5 +Us
 - 6 0V sense
 - 7 Shield
- 8 DIN connector cable part female**

8 DIN connector cable part female



Analog operated 0-5 or 0-10Vdc

Analog operated 0-20 or 4-20mAdc